

Vossloh Wustlich  
Opto GmbH & Co.KG



Telefon: 0531/313 96-0  
Fax: 0531/313 96-20

LED 5mm Round  
WU-8-750SEC

Type	Part-No.
WU-8-750SEC	

Emitting Colour	Material	Case Colour	Viewing angle
red	AllnGaP	waterclear	15°

### Optical and Electrical Characteristics of Ta = 25 °C

Parameter	Intensity I ( mcd )					
	min	Typ	max	unit	condition	
If = 2 mA						
If = 5 mA						
If = 10 mA						
If = 20 mA	560	1700				
	min	Typ	max	unit	condition	
Peak Wavelength		632		nm	If =	20 mA
Dom. Wavelength		631		nm	If =	mA
Spectral Halfline		20		nm	If =	mA
Forward Voltage		1,9	2,3	V	If =	20 mA

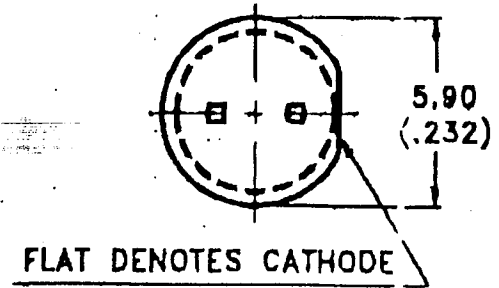
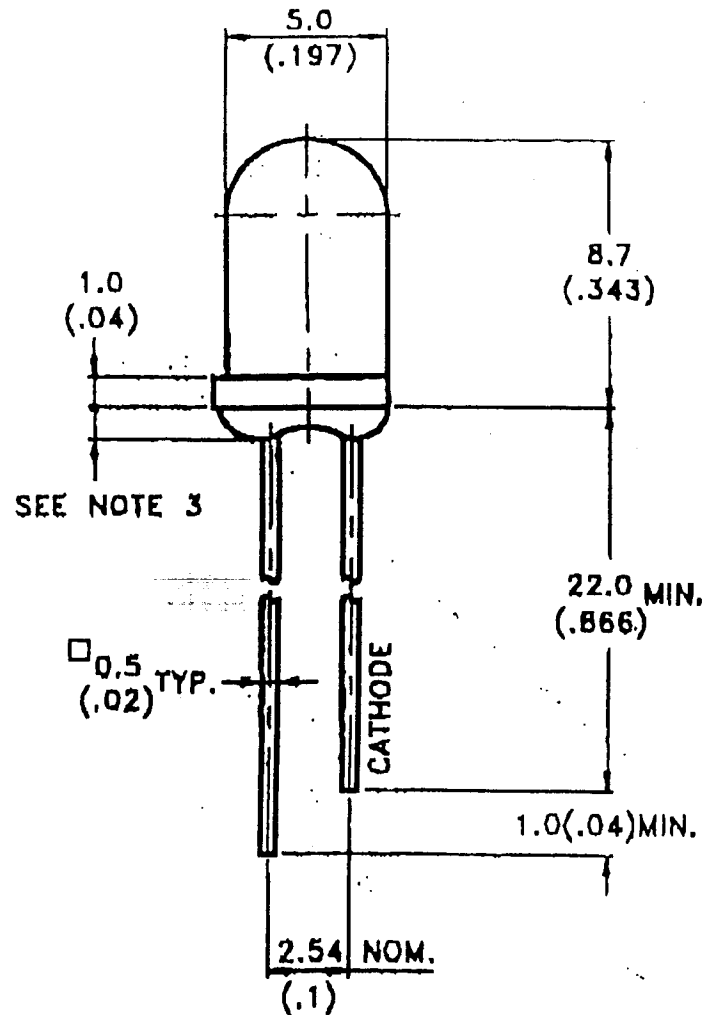
### Absolute Maximum Ratings Ta = 25 °C

Parameter	Value	Unit	Notes
Peak Forward Current t < 10µs	160	mA	
Power Dissipation	120	mW	
Reverse Voltage	5	V	
Forward Current	50	mA	
Operating Temperature	- 40° +100°	°C	
Storage Temperature	- 55° +100°	°C	
Lead Soldering Temperature	260°	°C 5 sec.	> 5mm from solder joint to case

Package dimensions

# Package Dimensions

Maßzeichnung zur  
WU-8-53xx-Serie und WU-8-750/751xx-Serie



## Notes:

1. All dimensions are in millimeters (inches).
2. Tolerance is  $\pm 0.25\text{mm}$  (.010") unless otherwise noted.
3. Protruded resin under flange is 1.0mm (.04") max.
4. Lead spacing is measured where the leads emerge from the package.